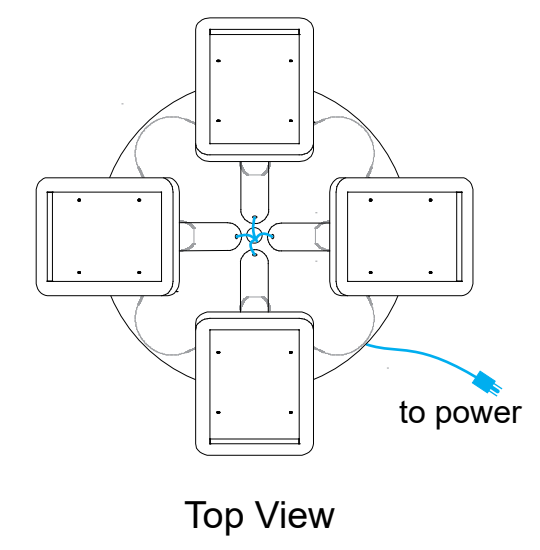
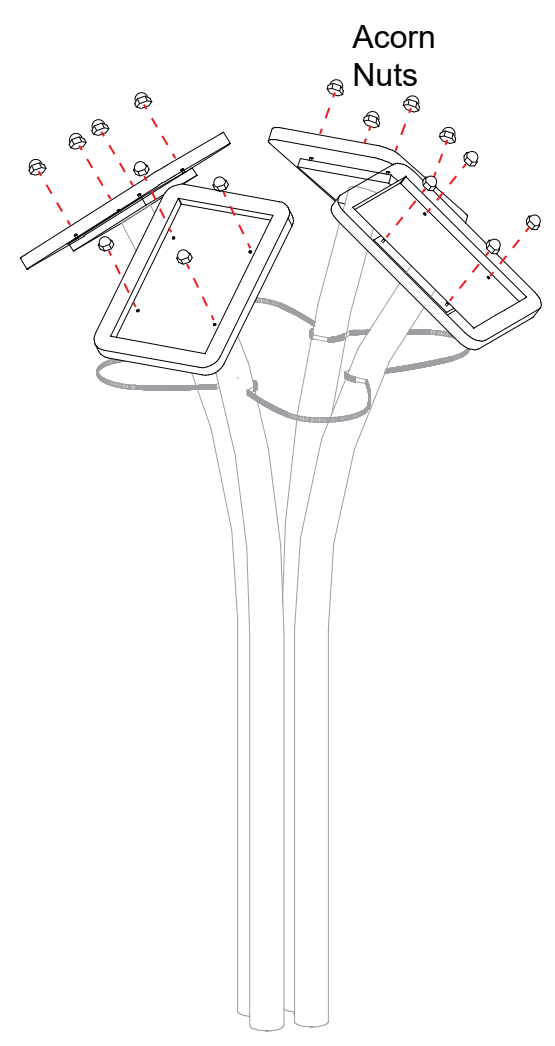
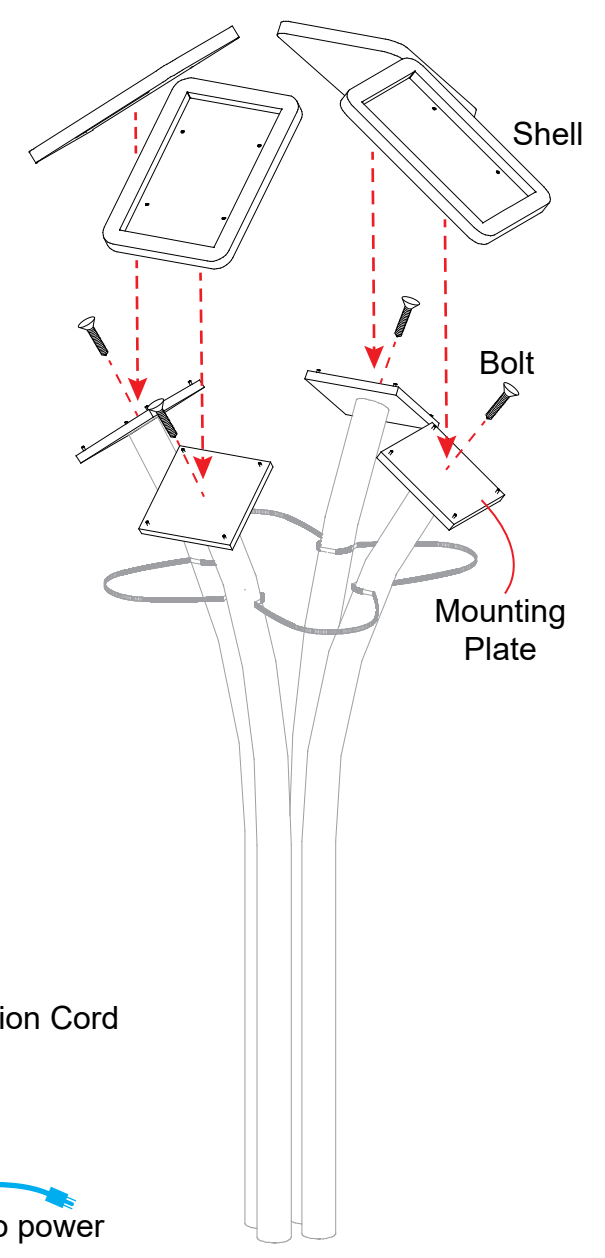
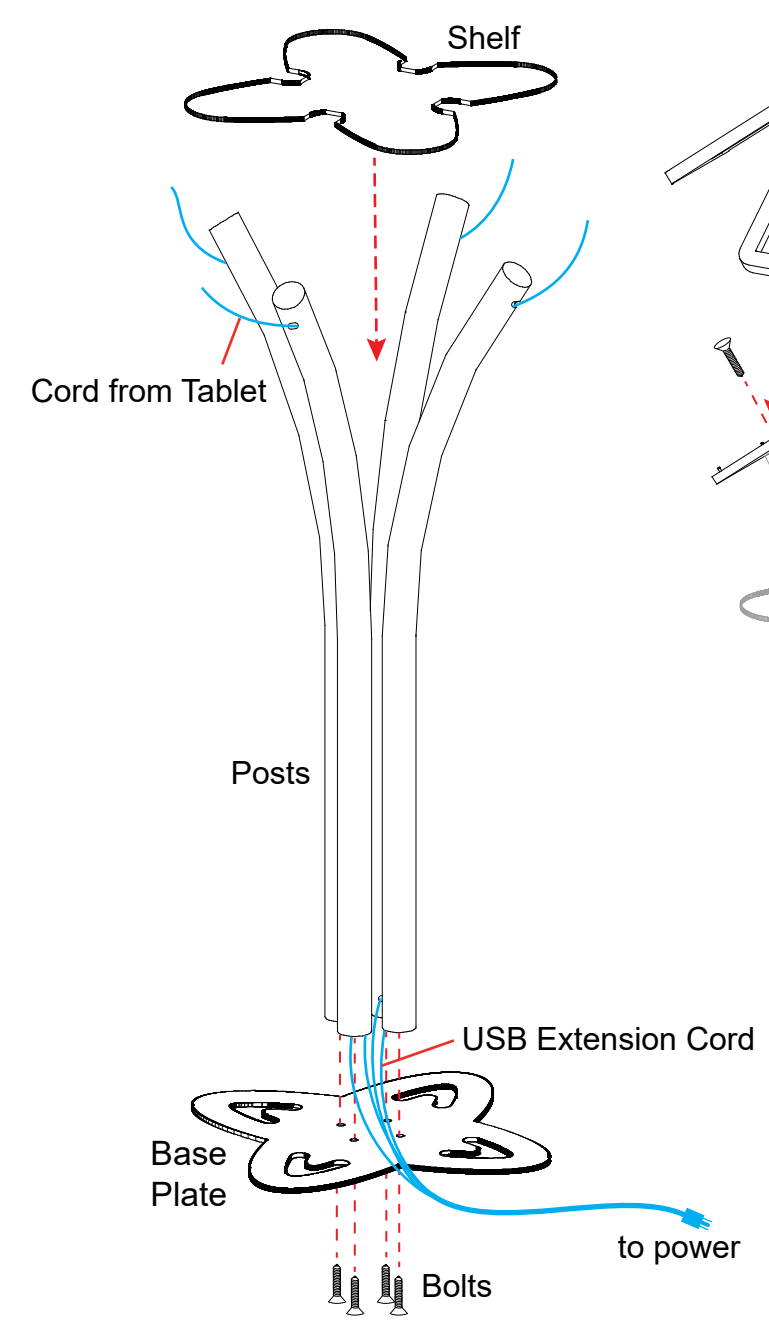
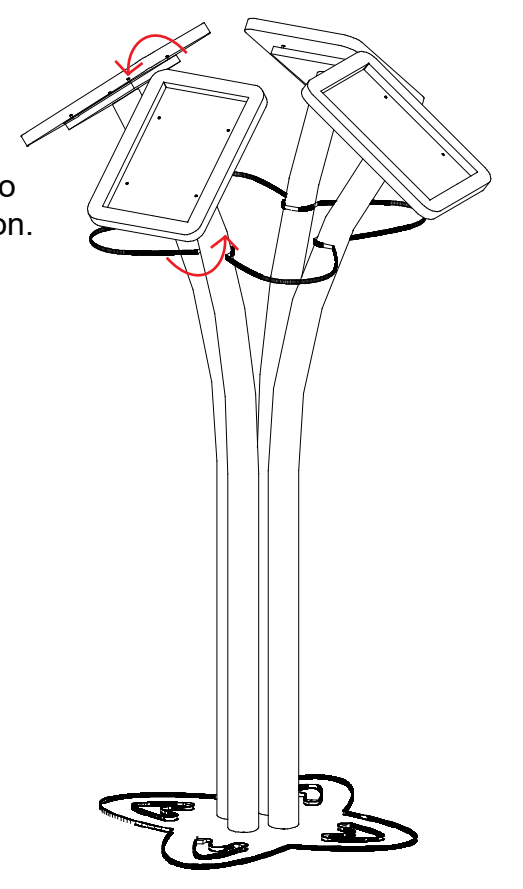


- Steps:
- 1) Attach base plate to posts, using bolts.
 - 2) Place shelf at center, between posts.
 - 3) Attach mounting plates to tops of posts, using bolts.
NOTE: Plate must rotate left and right before installing clamshell.
 - 4) Attach shells to mounting plates, using acorn nuts.
 - 5) Insert tablet into shell and feed cords through holes. Repeat step for each tablet. See [Cord Management for Tablet](#) detail.



Rotate shell to turn tablet from portrait to landscape orientation.



Completed Assembly

Cord Management For Tablet

Shell Cover

Shell

Tablet

Cord Access

Attach tablet cord to supplied USB extension cord. Route USB cord through top hole of post, then out bottom hole of post. Connect to power.

SETUP INSTRUCTIONS

General Setup Instructions

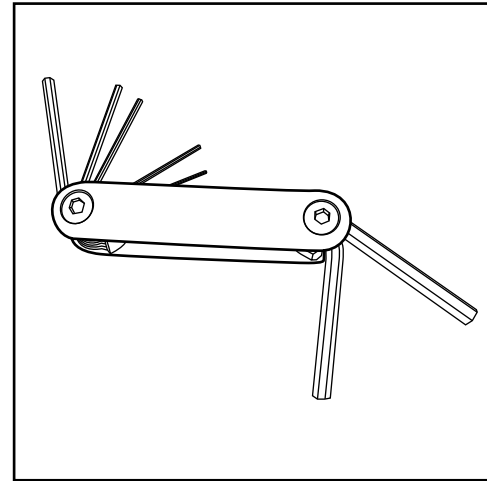
- Read entire setup instruction manual prior to unpacking parts and pieces.
- The setup instructions are created specifically for this configuration.
- Setup instructions are laid out sequentially in steps, including exploded views with detailed explanation for assembly.

Cleaning & Packing

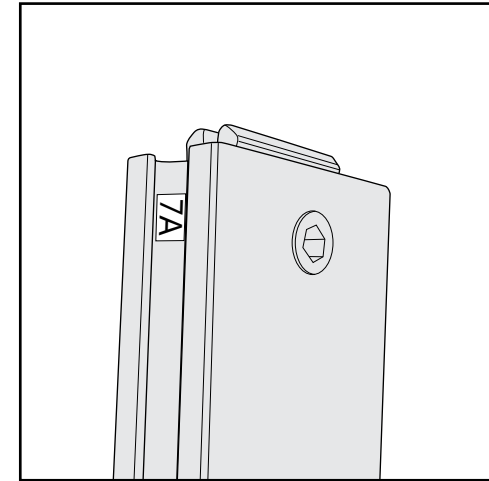
- For Cleaning Metal, Plex, & Laminate Parts: Use a **MILD NON-ABRASIVE** cleanser and soft cloth/paper towel to clean all surfaces.
- Keep exhibit components away from heat and prolonged sun exposure. **Heat and UV exposure will warp and fade components.**
- Retain all provided Packing Materials. All provided packing materials are for ease of repacking & component protection.

Disassembly

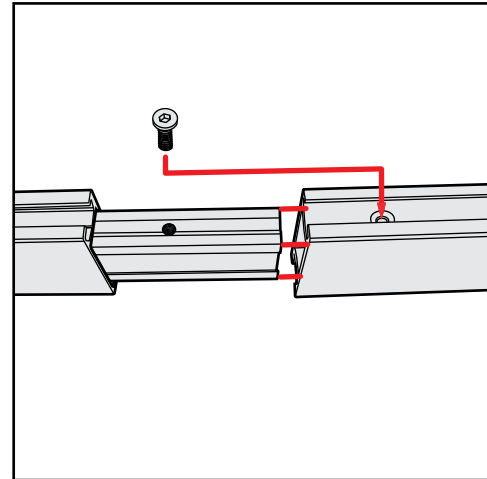
- For loss prevention, tighten all set screws and locks during disassembly.



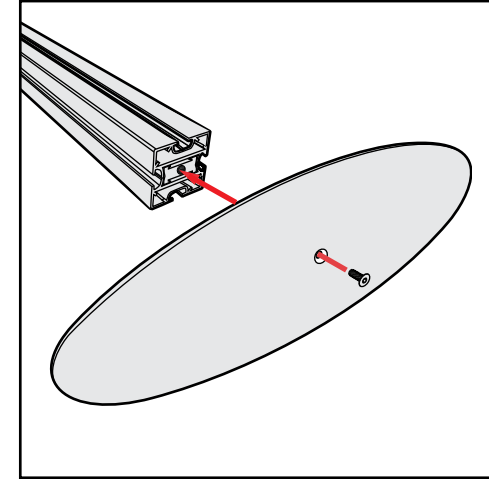
Hex Tool - Essential for Assembly



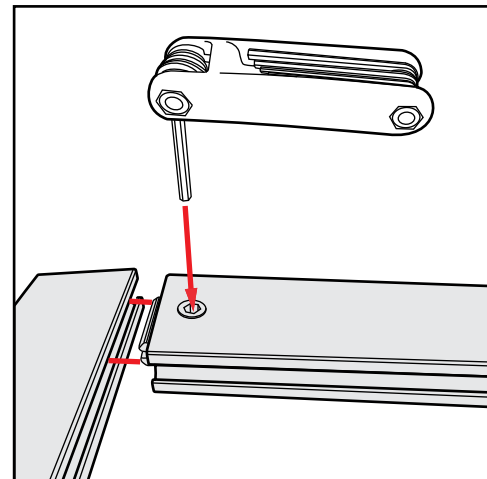
Part Identification - Numbering



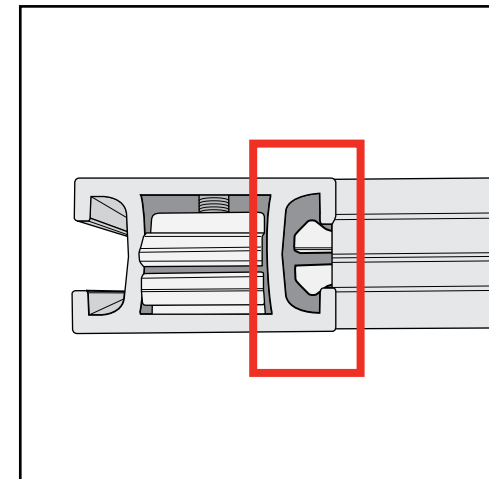
Spline Connection



Base Plate & Extrusion Connection



Extrusion & Lock Connection



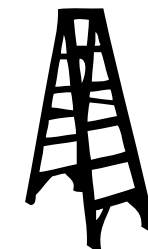
Engaged Lock



WARNING



DO NOT USE POWER TOOLS



LADDERS OR LIFTS
MAY BE REQUIRED



ALL CONNECTIONS MUST
BE TIGHTLY SECURED